



# Vapor Tight Kit (LUMA LVTLK218) 2, 18-Watt LED Lamp



## Caution:

- Risk of fire/electrical shock. If not qualified, consult an electrician.
- Disconnect power at fuse or circuit breaker before installing or servicing.
- Edges may cut. Handle with care.

## Safety Instructions (Read carefully for your protection):

- ETL Listed for indoor use only.
- Connect fixture to 120-volt, 60 Hz power source. (Any other connection may void warranty.)
- A qualified electrician or person with experience in household wiring should install this fixture. The electrical system and the method of connecting to electricity must be in accordance with the National Electrical Code and local building codes.
- Keep away from flammable objects. Do not position fixture within one inch of any combustible materials.
- Your light fixture is pre-wired for easy installation.
- This fixture is rated for 50,000 hrs. When inside LED tubes need to be replaced, please contact LUMATEQ to get new tubes. Use of any other tubes will void the warranty.
- Wear rubber sole shoes and work on a sturdy wooden ladder.
- To avoid hazard to children, account for all parts and destroy packing materials.

## Preparation

- Before beginning assembly, installation, or operation of product, make sure all parts are present. Compare parts with the package contents list and diagram.
- If any part is missing or damaged, do not attempt to assemble, install or operate the product. Contact customer service at (941) 405-4027 or visit our website at [www.LUMATEQ.com](http://www.LUMATEQ.com) for replacement parts.

## Troubleshooting

PROBLEM	POSSIBLE CAUSE	CORRECTIVE ACTION
Light does not come on	No power to the fixture	Check if circuit breaker is tripped
Wiring to the unit is loose	-	Confirm fixture is properly grounded

## Questions, Problems, Missing Part

Before returning your fixture to your supplier, call our customer service department at (941) 405-4027, 8AM - 5PM EST, Monday-Friday

**Side 1 of 2 - Please see back for assembly instructions**

**LUMATEQ, LLC. - Illuminating Today with Tomorrow's Technology**  
515 27th Street, E. Bradenton, FL 34208 • [LUMATEQ.com](http://LUMATEQ.com) • 941-405-4027 • Fax: 941-405-4028



# Vapor Tight Kit (LUMA LVTLK218)

## 2, 18-Watt LED Lamp

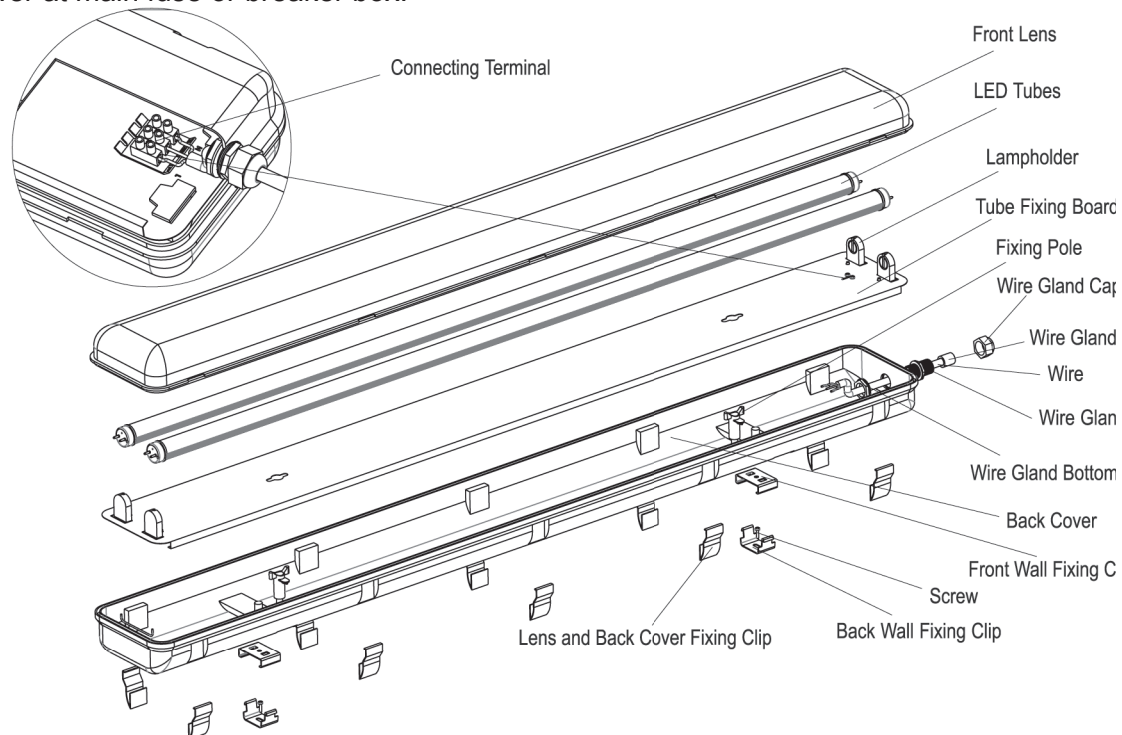


### Note:

- Always hire a licensed electrician for proper installation.
- Always mount this fixture to a grounded junction/breaker box.

### Vapor Tight Light Assembly

- 1) Turn off the power at the main fuse or breaker box.
- 2) Thread wires through wire gland and back cover wire hole.
- 3) Connect the wires to the wire terminal L to L, N to N then fasten the wire gland.
- 4) Attach the LED tubes to the lamp holder.
- 5) Put the tube fixing board in the back cover, fixing poles through the board's holes. Then turn around the head of fixing poles 90° to fix the board to back cover.
- 6) Use the lens and back cover clips to attach lens to back cover.
- 7) Use the wall fixing clips to fix the light fixture to wall.
- 8) Turn on power at main fuse or breaker box.



### Tools Required for Assembly:

- Phillips screwdriver
- Pliers

Side 2 of 2